

MOBILEGO

MOBILE FILTER UNIT WITH HOSE TUBE ARM

The MobileGo is a mobile welding fume filter with built-in fan and a hose tube arm (EconomyArm). It contains a disposable filter package.

Thanks to the four transport wheels (two of which are swivel casters with brake), the MobileGo is suitable for use in relatively small facilities or near sources of pollution without a fixed location.

The MobileGo has been designed for occasional welding activities (approx. 1 coil of solid wire or 7,5 kg/16.5 lbs of electrodes per month) and TIG welding.



APPLICATIONS

The MobileGo is intended to be used for the following applications:

- MIG-MAG/GMAW welding
- TIG welding
- FCAW welding
- stick/MMAW welding
- grinding
- polishing
- finishing



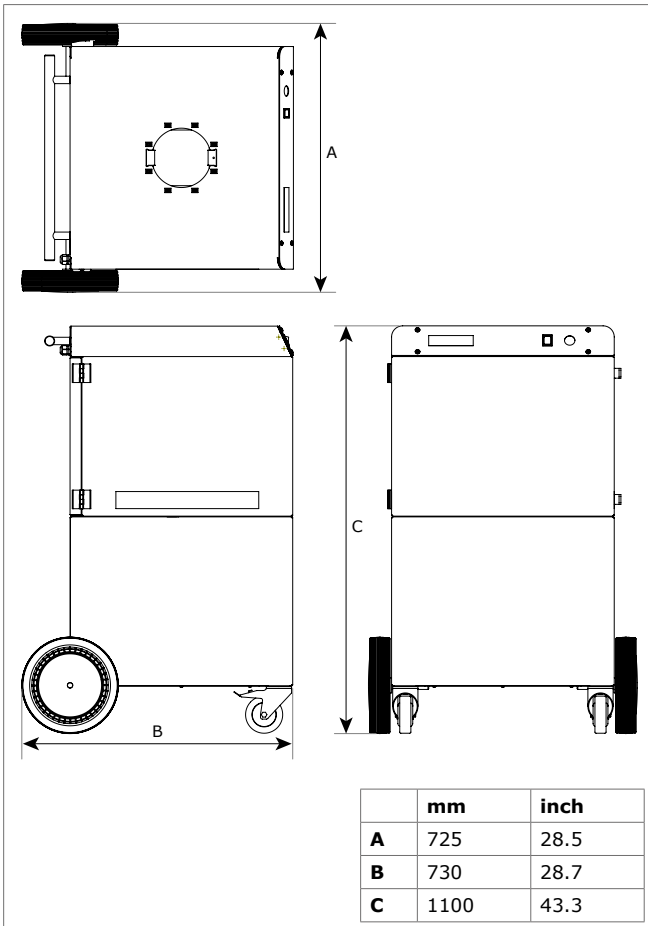
SPECIFICATIONS

| ■ Physical dimensions and properties | |
|--------------------------------------|-------------------------------------------------------|
| Material (housing): | electro-zinc coated steel (according to DIN EN 10152) |
| • steel grade | • DC01+ZE |
| • steel grade no. | • 1.0330 |
| Colour | yellow RAL 1004 grey RAL 7011 |
| Weight (net), excl. arm | 84 kg (185 lbs) |
| Mains cord: | |
| • type | • 3G1.5 |
| • length | • 6 m (20 ft) |
| ■ Extraction arm | |
| Type | EconomyArm (EA) |
| Material | hose tube |
| Length: | |
| • EA-2 | • 2 m |
| • EA-3 | • 3 m |
| Weight: | |
| • EA-2 | • 11 kg (24.3 lbs) |
| • EA-3 | • 13 kg (28.7 lbs) |
| ■ Filters | |
| Pre filter cassette: | |
| • material | • polyester |
| • filter surface | • 1 m ² (10.8 ft ²) |
| • efficiency | • G2 according to EN 779 |
| • washable | • no |
| HEPA filter cassette: | |
| • material | • polyester |
| • filter surface | • 15 m ² (161 ft ²) |
| • efficiency | • HEPA E12 according to EN 1822:2009 |
| • washable | • no |
| ■ Welding fume class | |
| W3 | according to ISO 15012-1:2013 |

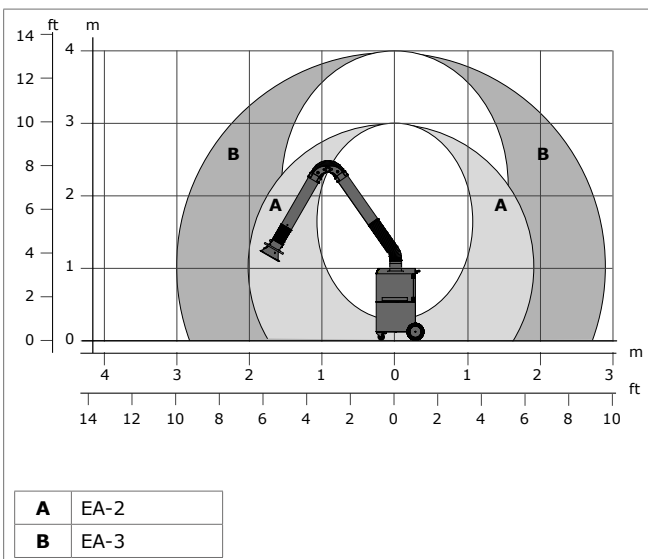
| ■ Performance | |
|---------------------------------------------------------------------------------------------------------------------------------------------------------------------------------------------------------------------------------|-------------------------------------------------------------------------|
| Fan type | radial |
| Extraction capacity (incl. extraction arm) | max. 850 m ³ /h (500 CFM) |
| Fan speed | 2800 rpm |
| Noise level (according to ISO 3746) | 67 dB(A) |
| ■ Electrical data | |
| Power consumption | 1,1 kW (1.5 HP) |
| Available connection voltages | • 115V/1ph/50Hz (115) • 115V/1ph/60Hz (116) • 230V/1ph/50Hz (215) |
| Motor design | IEC |
| Energy efficiency | <i>n.a. for single phase motors</i> |
| Plug: | Type: |
| • 115V/1ph/50Hz | • none |
| • 115V/1ph/60Hz | • none |
| • 230V/1ph/50Hz | • F |
| ■ Ambient and process conditions | |
| Process temperature: | |
| • min. | • 5°C (41°F) |
| • nom. | • 20°C (68°F) |
| • max. | • 70°C (158°F) |
| Max. relative humidity | 90% |
| Suitable for outdoor use | no |
| Storage conditions | • 5-45°C (41-113°F) • relative humidity max. 80% |
| ■ Scope of supply | |
| Mobile filter unit – Extraction arm (pre-assembled; excl. hose tube) – Hose tube – Hose clamp (2) – Rotating flange – Arm swivel ring, incl. rubber collar – Extraction hood – Hood collar with safety mesh – Mounting material | |
| ■ Order information | |
| Article no.: | MobileGo: |
| • 0000111450 | • MobileGo/2m (115) |
| • 0000111451 | • MobileGo/2m (116) |
| • 0000111449 | • MobileGo/2m (215) |
| • 0000111471 | • MobileGo/3m (115) |
| • 0000111472 | • MobileGo/3m (116) |
| • 0000111470 | • MobileGo/3m (215) |
| • | • |

| | |
|-----------------------------------|--------------|
| Number/package | 1 |
| Shipping data | |
| Gross weight (incl. pallet) | |
| Packing dimensions (incl. pallet) | |
| Max. number/pallet | 2 |
| Harmonized Tariff Code | 8421.39.2090 |

DIMENSIONS



WORKING RANGE



FEATURES & BENEFITS



Compact design



Easy control | Service indicator monitors the airflow

APPROVALS/CERTIFICATES

| | |
|--|-----------------------------------------------------|
| | |
| | Directive 2011/65/EC (RoHS) valid as of 8 June 2011 |

Application restrictions

Do **not** use the product for the following applications or in the following circumstances: polishing applications in combination with grinding, welding or any other application that generate sparks (fibres from polishing or abrasive flap disks are highly flammable and pose a high risk of filter fires when exposed to sparks) | aluminium laser cutting | oil mist | heavy oil mist in welding fume | arc-air gouging | extraction of aggressive fumes and gases (e.g. from acids, from alkaline, from soldering paste containing lithium) | extraction of hot gases (more than 70°C/158°F continuously) | grinding aluminum and magnesium | flame spraying | extraction of cement, saw dust, wood dust etc. | sucking cigarettes, cigars, oiled tissues and other burning particles, objects and acids | explosive environments or explosive substances/gases

Product type

MobileGo

Article no.

refer to Order information

Product category

mobile filter units

Version

151216/0

Always check the latest version on www.plymovent.com