

MOBILEGO^{plus}

MOBILE FILTER UNIT WITH METAL TUBE ARM

The MobileGo^{plus} is a mobile welding fume filter with built-in fan and a metal tube arm (KUA). It contains a disposable filter package.

Thanks to the four transport wheels (two of which are swivel casters with brake), the MobileGo^{plus} is suitable for use in relatively small facilities or near sources of pollution without a fixed location.

The MobileGo^{plus} has been designed for occasional to regular welding activities (approx. 2 coils of solid wire or 15 kg/33 lbs of electrodes per month).



APPLICATIONS

The MobileGo^{plus} is intended to be used for the following applications:

- MIG-MAG/GMAW welding
- TIG welding
- FCAW welding
- stick/MMAW welding
- grinding
- polishing
- finishing



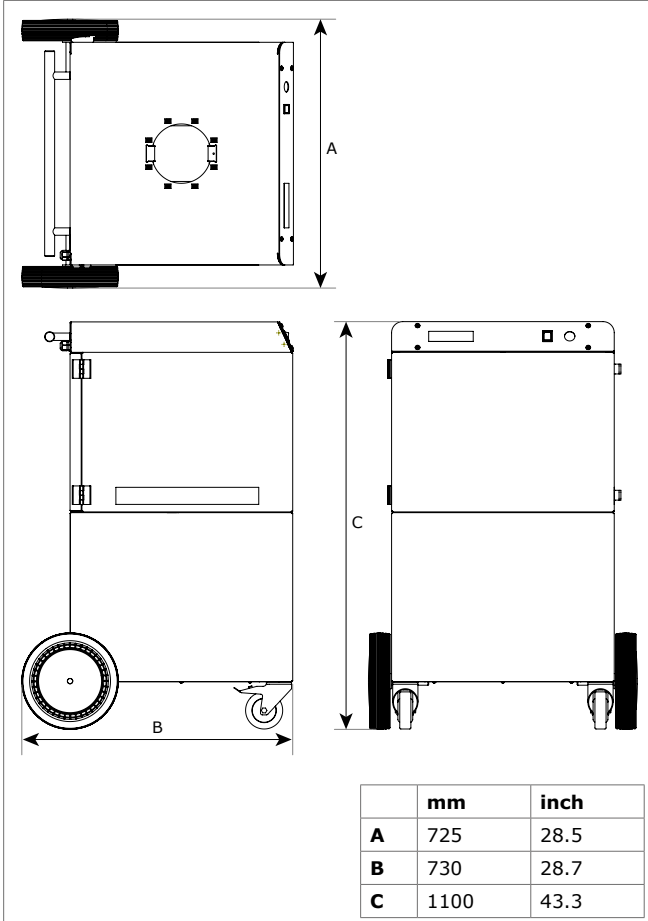
SPECIFICATIONS

| ■ Physical dimensions and properties | |
|--------------------------------------|---|
| Material (housing): | electro-zinc coated steel (according to DIN EN 10152) |
| • steel grade | • DC01+ZE |
| • steel grade no. | • 1.0330 |
| Colour | yellow RAL 1004 grey RAL 7011 |
| Weight (net), excl. arm | 85,5 kg (188.5 lbs) |
| Mains cord: | |
| • type | • 3G1.5 |
| • length | • 6 m (20 ft) |
| ■ Extraction arm | |
| Type | KUA |
| Material | metal tube |
| Length: | |
| • KUA-2 | • 2 m |
| • KUA-3 | • 3 m |
| Weight: | |
| • KUA-2 | • 12 kg (26.5 lbs) |
| • KUA-3 | • 15.5 kg (34.2 lbs) |
| ■ Filters | |
| Pre filter cassette: | |
| • material | • polyester |
| • filter surface | • 1 m ² (10.8 ft ²) |
| • efficiency | • G2 according to EN 779 |
| • washable | • no |
| HEPA filter cassette: | |
| • material | • polyester |
| • filter surface | • 26 m ² (280 ft ²) |
| • efficiency | • HEPA E12 according to EN 1822:2009 |
| • washable | • no |
| ■ Welding fume class | |
| W3 | according to ISO 15012-1:2013 |

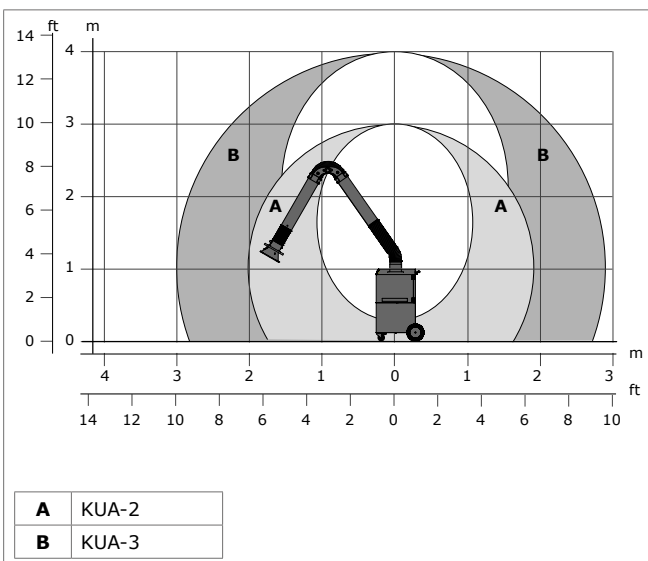
| ■ Performance | |
|---|---|
| Fan type | radial |
| Extraction capacity (incl. extraction arm) | max. 850 m ³ /h (500 CFM) |
| Fan speed | 2800 rpm |
| Noise level (according to ISO 3746) | 67 dB(A) |
| ■ Electrical data | |
| Power consumption | 1,1 kW (1.5 HP) |
| Available connection voltages | • 115V/1ph/50Hz (115) • 115V/1ph/60Hz (116) • 230V/1ph/50Hz (215) |
| Motor design | IEC |
| Energy efficiency | <i>n.a. for single phase motors</i> |
| Plug: | Type: |
| • 115V/1ph/50Hz | • none |
| • 115V/1ph/60Hz | • none |
| • 230V/1ph/50Hz | • F |
| ■ Ambient and process conditions | |
| Process temperature: | |
| • min. | • 5°C (41°F) |
| • nom. | • 20°C (68°F) |
| • max. | • 70°C (158°F) |
| Max. relative humidity | 90% |
| Suitable for outdoor use | no |
| Storage conditions | • 5-45°C (41-113°F) • relative humidity max. 80% |
| ■ Scope of supply | |
| Mobile filter unit – Extraction arm (pre-assembled) – Rotating flange – Arm swivel ring, incl. rubber collar – Extraction hood – Hood collar with safety mesh – Mounting material | |
| ■ Order information | |
| Article no.: | MobileGo: |
| • 0000111453 | • MobileGo ^{plus} /2m (115) |
| • 0000111454 | • MobileGo ^{plus} /2m (116) |
| • 0000111452 | • MobileGo ^{plus} /2m (215) |
| • 0000111474 | • MobileGo ^{plus} /3m (115) |
| • 0000111475 | • MobileGo ^{plus} /3m (116) |
| • 0000111473 | • MobileGo ^{plus} /3m (215) |
| Number/package | 1 |

| ■ Shipping data | |
|-----------------------------------|--------------|
| Gross weight (incl. pallet) | |
| Packing dimensions (incl. pallet) | |
| Max. number/pallet | 2 |
| Harmonized Tariff Code | 8421.39.2090 |

DIMENSIONS



WORKING RANGE



FEATURES & BENEFITS



Compact design



Easy control | Service indicator monitors the airflow

APPROVALS/CERTIFICATES

| | |
|--|---|
| | |
| | Directive 2011/65/EC (RoHS) valid as of 8 June 2011 |

Application restrictions

Do **not** use the product for the following applications or in the following circumstances: polishing applications in combination with grinding, welding or any other application that generate sparks (fibres from polishing or abrasive flap disks are highly flammable and pose a high risk of filter fires when exposed to sparks) | aluminium laser cutting | oil mist | heavy oil mist in welding fume | arc-air gouging | extraction of aggressive fumes and gases (e.g. from acids, from alkaline, from soldering paste containing lithium) | extraction of hot gases (more than 70°C/158°F continuously) | grinding aluminum and magnesium | flame spraying | extraction of cement, saw dust, wood dust etc. | sucking cigarettes, cigars, oiled tissues and other burning particles, objects and acids | explosive environments or explosive substances/gases

Product type

MobileGo^{plus}

Article no.

refer to Order information

Product category

mobile filter units

Version

151216/0

Always check the latest version on www.plymovent.com